

Tips & Tricks

Round Shape Stickers

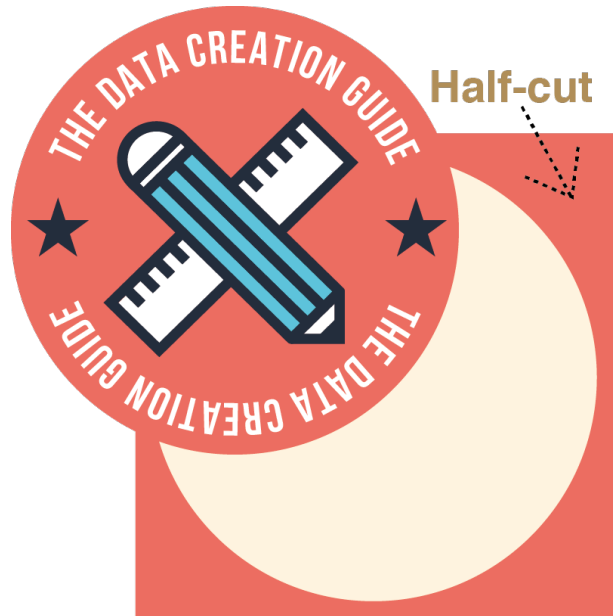
[Half-cut round stickers](#) | [Using the Illustrator round sticker templates](#)

Half-cut round stickers

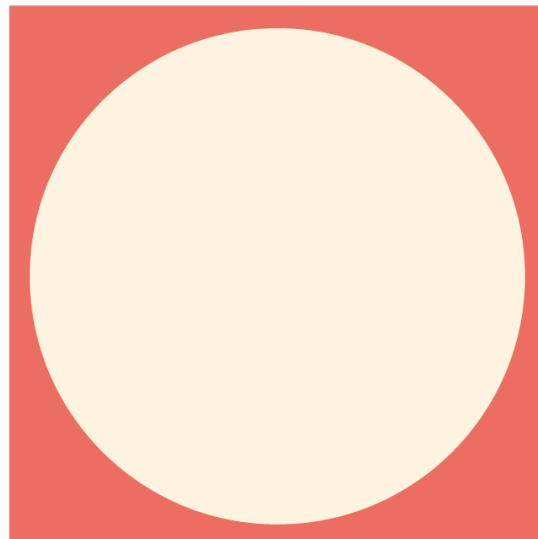
To make it a little easier to peel off and apply your awesome [round stickers](#), we kiss cut them all before they get packaged and shipped out to you. What is a kiss cut? Using a metal die (think of a round shape cookie cutter with really sharp edges) we only cut the sticky part of your sticker, without cutting all the way through to the back paper.

Final Trimmed Size



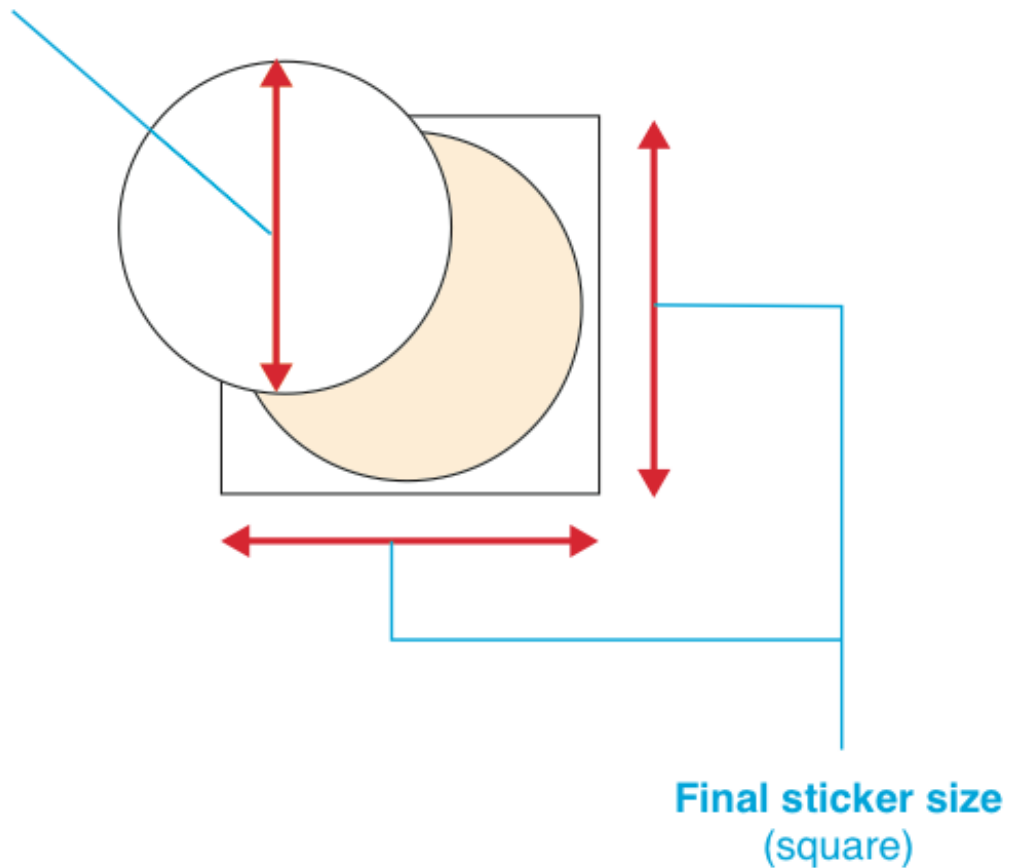


Left over sticker portion



At Print Arabia we carry 9 popular **round sticker** sizes. All the sizes are measured in diameter. Because the smallest size we can trim anything down to is 50x50mm, and the 30mm round and 40mm round stickers are smaller than that size, the final sticker size for both 30mm round and 40mm round is 50x50mm (square) sticker. Please refer to the illustration and chart below.

Diameter of Circle



Diameter of Circle

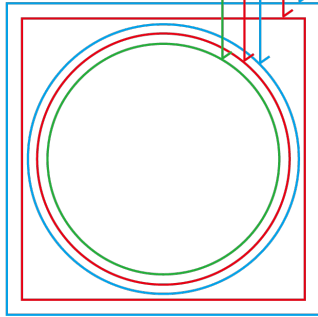
Final sticker size (square)

30mm round	50x50mm
40mm round	50x50mm
50mm round	56x56mm
60mm round	66x66mm
70mm round	76x76mm
80mm round	86x86mm
90mm round	96x96mm
100mm round	106x106mm
120mm round	126x126mm

Using the illustrator round sticker templates

First, let's open up one of our [round sticker templates](#). Each template comes set up with the required trim marks and guides, so all you need to do is just set your design up. If you do not see these guides, you must first enable your guides. From the View menu, choose Guides > Show Guides.

Extend your bleed until here.
Sticker is cut square here.
Required 3mm bleed
Sticker is kiss cut here.
Safety Area. Keep all important text inside here.

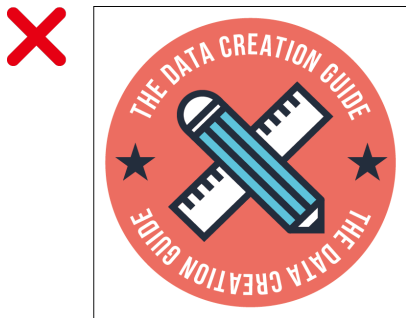


Template

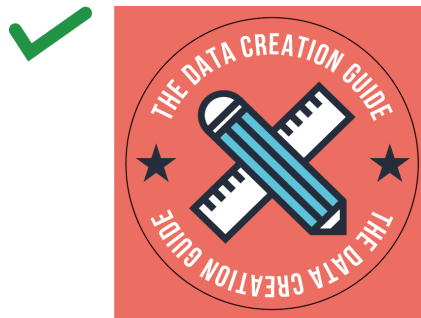
Sticker will be cut into square size
This is where we kiss cut it.



Final cut sticker



Only the sticker will be orange



Set your bleed up like this!